



4000 Watt
Lister Petter Powered
Lighting Tower



FEATURES:

FEATURES:

- 360 Degree rotatable mast
- Hand winch
- Automatic mast lock
- 4x1000 watts Metal Halide lamps
- Simple One Man Operation
- 1500rpm Water cooled Diesel Engine
- Quiet Operation
- 100/Litre / 60 Hours Run Time**

IDEAL FOR

Highways Maintenance

Building Projects

Railway Maintenance

Sporting Events and Exhibitions

Civil Engineering and any Emergency Lighting or remote Requirements.

GENERATING SET

Lister Petter, LPW 2, water cooled diesel engine

Improved radiator capacity to allow continuous running at 50 Degrees ambient temperature.

Spin on type full flow oil filter

Spin on type fuel filter

Dry type cartridge air filter

12 volt maintenance-free battery

Mecc alte alternator, brushless, single-phase, 230 V, 50/60 Hz .

Starter battery (with lead acid) including rack and cables.

Manual and circuit diagram documents.

FLOOD LIGHTS

Four fixtures, Metal Halide lamps, 1000 watts each

Hardened glass lenses

Non corrosive, high pressured die-cast aluminum housing

Silicone gaskets for moisture protection

TRAILER

Single axle

50 mm ball or towing eye

Over-run and hand brakes

185 R14 tyres

1500 kg axle rating

Four adjustable stabilizer supports, retractable for moving the tower

MAST

30', 9 m. , 3 - sections

Automatic mast locking

3600 rotation

Manual winch system

Double winch system for raising and tilting

Canopy

Lockable, fully enclosed sound attenuated canopy

Polyester-powder painted

100 L tank providing 60 hours run time

ENGINE CONTROLS

Key switch Off / Manual start positions

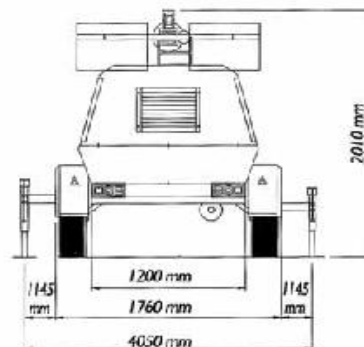
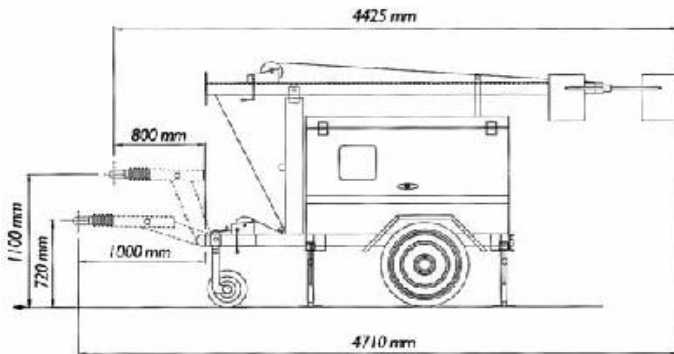
Manual start and pre-heat push buttons

Hours run meter

Low oil pressure, high engine temperature, over speed shut down system

1500 kg axle rating

Four adjustable stabilizer supports, retractable for moving the tower



DIMENSIONS

Length- Road unit	:	4630	mm (max.)
Width - Road unit	:	1760	mm
Width - Stabilizers deployed	:	4050	mm
Height - Transport mode	:	1960	mm

Redgen Power Systems, Unit 44 Hemming Road, Redditch, Worcestershire B98 0DH England UK.
tel. +44 (0)1564 782066 fax. +44 (0)1564 784785 email sales@redgen.co.uk

